

# DUAL ACTION LED LIGHTBAR

## DESCRIPTION

The Dual Action LED Light bar brings versatility and lighting power to the forefront by allowing you to adjust your lighting to the ever-changing driving conditions with the flick of a switch. Experience the all new VRT (Vector Reflector Technology) at high speeds by shining a long distance, broad spot beam that fans across the road.

When dust and fog tries to slow you down, engage the Amber PLC (Photon Light Core Technology) to pierce the night by reducing shadows and white-out through the proper Amber LED lighting spectrum and wide-elliptical shaped beam. For added dust & fog penetration, the High Output model utilizes a special LED Chip configuration which emits maximum Amber brightness while still offering an extremely wide elliptical driving pattern.

The LED Light Bar is also available in White PLC (Photon Light Core Technology) models, which will ignite a bright white ultra-wide beam to clearly see the roads and work area edges with over 170° of illumination.

### Key Features:

- Dual Function Lighting Technology
- Heavy Duty Side Mounts
- High Output Cree LEDs
- Standard and High Output Models Available
- Elliptical LED Color Options



**AMBER – WIDE ELLIPTICAL BEAM**



**HIGH OUTPUT AMBER – WIDE ELLIPTICAL BEAM**

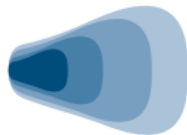


**WHITE – WIDE ELLIPTICAL BEAM**

### PHOTON LIGHT CORE FOR WIDE ELLIPTICAL BEAM

The new Photon Light Core technology is the first of its kind. Our engineers designed the bottom half of the Light bar to produce a unique wide spread elliptical beam that keeps the light low to the ground.

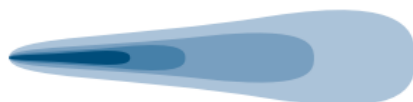
**ELLIPTICAL BEAM**



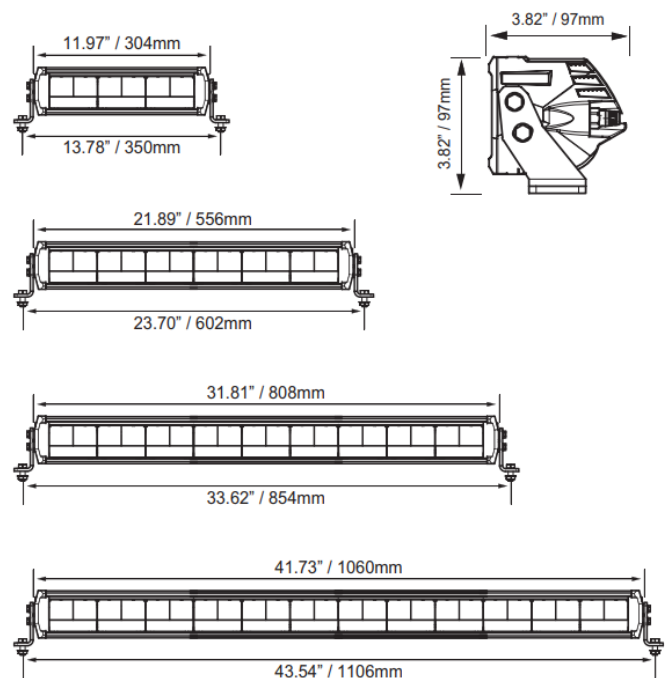
### VECTOR REFLECTOR FOR BROAD SPOT BEAM

With the flip of a switch, the Light bar transforms your light into a driving spot beam that utilizes our Vector Reflector Technology to boost the beam pattern out to unmatched distances.

**BROAD SPOT BEAM**



## 2D DRAWING



# DUAL ACTION LED LIGHTBAR

Reference	Model	Function	LED Color	Raw Lumens	Watts	Amps Drawn @ 12 VDC	Length	Usable Light
MLLB-DA1-A	Amber	Vector Reflector Photon Core	White	6,420 lm	60 W	5.0 A	30 cm	400 m
			Amber	3,550 lm	70 W	5.8 A		110 m
MLLB-DA1-HA	High Output Amber	Vector Reflector Photon Core	White	6,420 lm	60 W	5.0 A	304 mm	400 m
			Amber	3,026 lm	100 W	5.8 A		137 m
MLLB-DA1-W	White	Vector Reflector Photon Core	White White	6,420 lm 6,945 lm	60 W 100 W	5.0 A 5.8 A	304 mm	400 m 150 m
MLLB-DA2-A	Amber	Vector Reflector Photon Core	White	12,840 lm	125 W	10.42 A	556 mm	525 m
			Amber	7,100 lm	140 W	11.67 A		146 m
MLLB-DA2-HA	High Output Amber	Vector Reflector Photon Core	White	12,840 lm	125 W	10.42 A	556 mm	525 m
			Amber	6,050 lm	200 W	16.67 A		182 m
MLLB-DA2-W	White	Vector Reflector Photon Core	White White	12,840 lm 13,890 lm	125 W 200 W	10.42 A 16.67 A	556 mm	525 m 213 m
MLLB-DA-A	Amber	Vector Reflector Photon Core	White	19,260 lm	195 W	16.25 A	808 mm	654 m
			Amber	10,650 lm	220 W	18.33 A		187 m
MLLB-DA-HA	High Output Amber	Vector Reflector Photon Core	White	19,260 lm	195 W	16.25 A	808 mm	654 m
			Amber	9,075 lm	300 W	25.00 A		222 m
MLLB-DA3-W	White	Vector Reflector Photon Core	White White	19,260 lm 20,835 lm	195 W 300 W	16.25 A 25.00 A	808 mm	654 m 257 m
MLLB-DA4-A	Amber	Vector Reflector Photon Core	White	25,680 lm	250 W	20.83 A	1060 mm	688 m
			Amber	14,200 lm	300 W	25.00 A		207 m
MLLB-DA4-HA	High Output Amber	Vector Reflector Photon Core	White	25,680 lm	250 W	20.83 A	1060 mm	688 m
			Amber	12,100 lm	380 W	31.67 A		259 m
MLLB-DA4-W	White	Vector Reflector Photon Core	White White	25,680 lm 27,780 lm	250 W 380 W	20.83 A 31.67 A	1060 mm	688 m 300 m

