

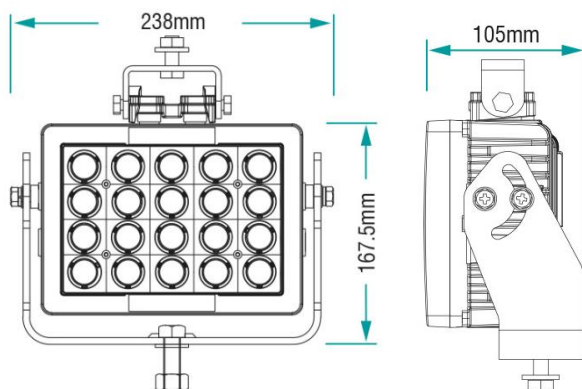
140W LED WORK LIGHT



FEATURES & BENEFITS

The MLB-140W LED offers outstanding light output in a functional design which can be easily adjusted, with either of the supplied trunnion or single bolt bracket options. High quality construction and components enable to withstand vibration up to 21Grms. Built-in reverse polarity protection helps prevent accidental damage caused by incorrect installation.

DIMENSIONS



SPECIFICATIONS

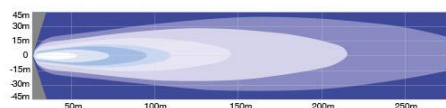
| | |
|------------------------|-------------------------------|
| Wattage | 140 W |
| LEDs | 20 x 7W Cree |
| Light Color Temp | 5,700 K |
| Effective / Raw Lumens | 11,270 lm / 16,000 lm |
| Voltage | 9-32 VDC |
| Amperage | 11.66 A @ 12V |
| Connector | Deutsch DT04-2P |
| Bracket Type | Trunnion & Single Bolt |
| Weight | 4.2 kg |
| Dimensions WxHxD | 238 x 167.5 x 105 mm |
| IP Rating | IP69K |
| Vibration Rating | 21.2 Grms |
| EMC Approval | CISPR25 Class 1 / CE Approved |
| Lens Material | 5 mm Polycarbonate |
| Housing Material | Aluminum |
| Housing Coating | Marine Grade Anti-Corrosive |

Electronic thermal management ensures that if the light is subjected to a massive heat overload, that a self protection protocol is engaged to reduce the light output, until such time as the heat overload retreats to normal parameters.

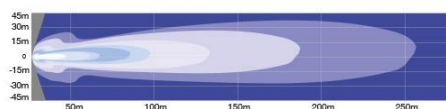
BEAM PATTERNS



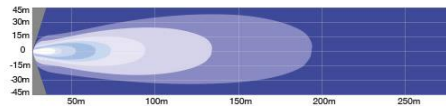
MLB-140-10



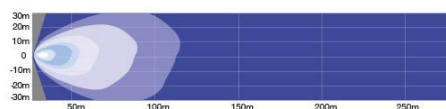
MLB-140-25



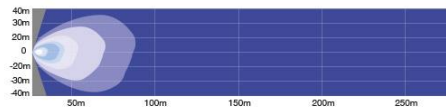
MLB-140-40



MLB-140-60



MLB-140-90



MLB-140-E

