

MERLIN[®]

MLGC-TL2

Deployable portable lighting in one
bespoke robust package.

Portable
Tripod
Light



LIGHTER, BRIGHTER, FASTER DEPLOYMENT

Unfolding or folding the MLGC-TL2 takes just two steps,
in under 10 seconds.

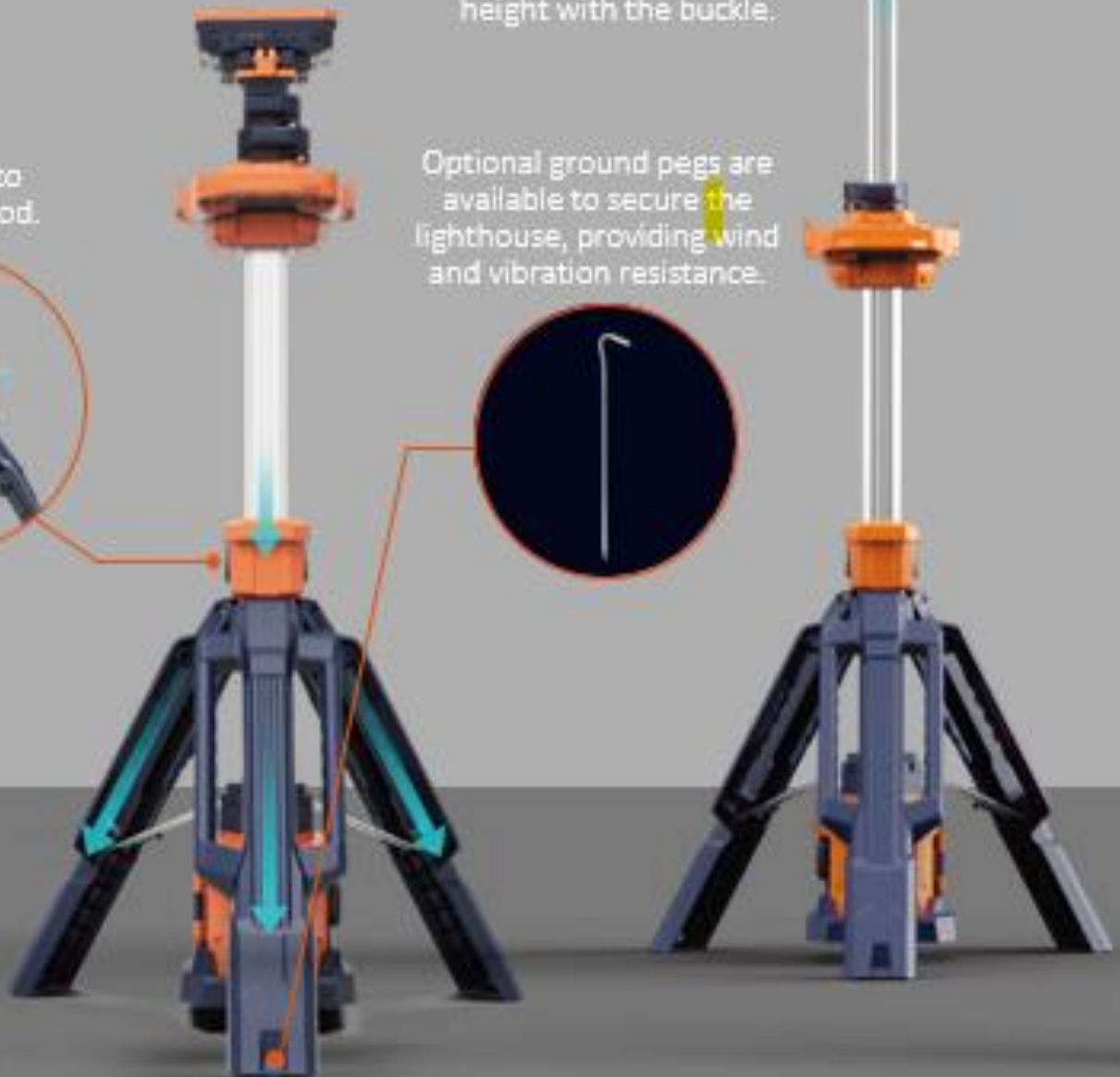


Secure the lamp at any
height with the buckle.

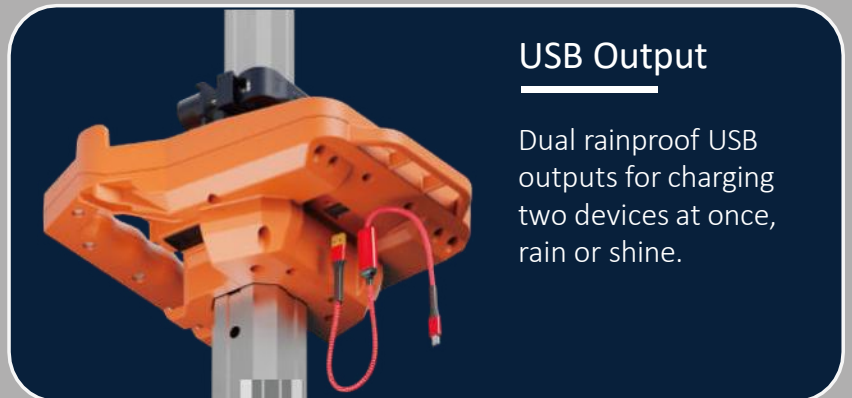
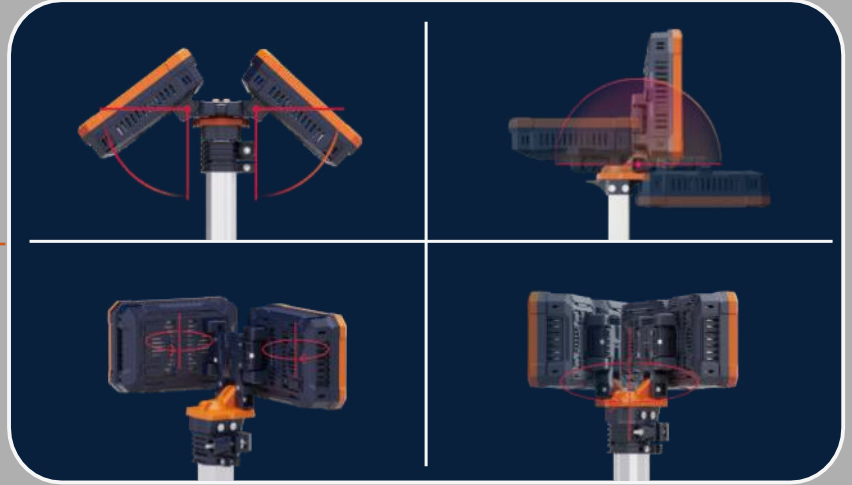
One keys to
release tripod.



Optional ground pegs are
available to secure the
lighthouse, providing wind
and vibration resistance.

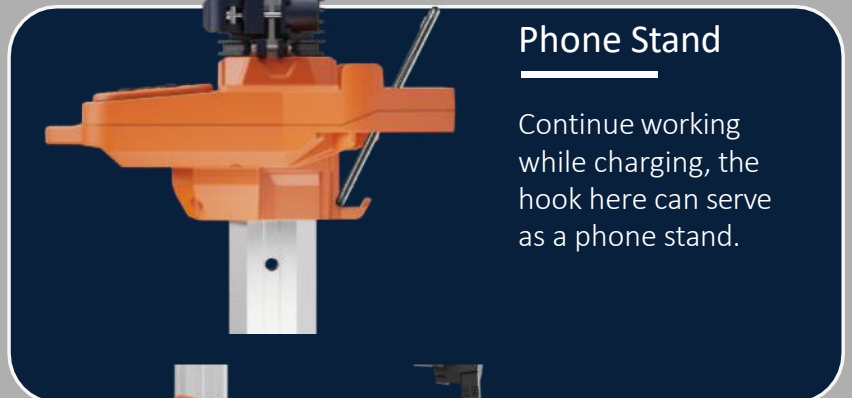


HUMANIZED DESIGN HIDDEN IN THE DETAILS



USB Output

Dual rainproof USB outputs for charging two devices at once, rain or shine.



Phone Stand

Continue working while charging, the hook here can serve as a phone stand.



Stepless Dimming

Plug the driver into the rainproof port to unlock maximum brightness and stepless dimming.

Ultra-Long Endurance

Standard Mode Up To **8+** Hours
(MLGC-BP2 & Dualhead Version)

2 type of battery packs with different capacities have same contact slot.



MLGC-BP1

Typical working hours 22 hours on
MLGC-TL2 Eco mode.



MLGC-BP2

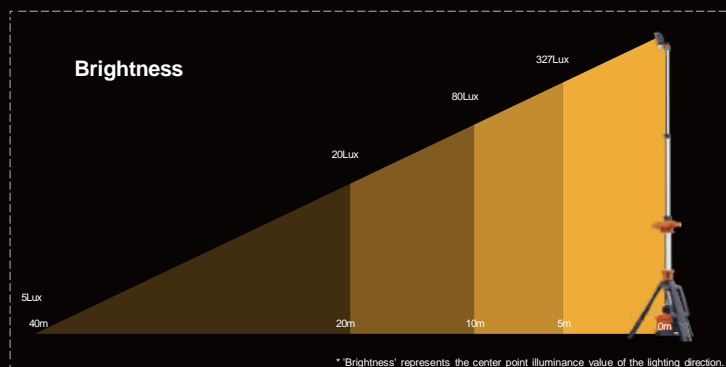
Doubled typical working hours to
45 hours.

Two Options Available Single Head Or Brighter Dual-head Version



▪ Dual-head

AC	0-12,000LM Stepless Dimmable	
Battery (4 Mode)	Turbo	6,000LM
	Standard	3,500LM
	Balanced	2,200LM
	Eco	600LM



▪ Single Head

Battery (4 Mode)	Turbo	4,000LM
	Standard	2,500LM
	Balanced	1,500LM
	Eco	450LM

AC Powered

Up To **12,000** LM

Battery-powered

Up To **6,000** LM





Construction



Maintenance



Infrastructure



Camping



Railway



Mining



Emergency



Sport

One person operation

2.3m

Less than 6Kg exclude battery.



1.0m



Specifications

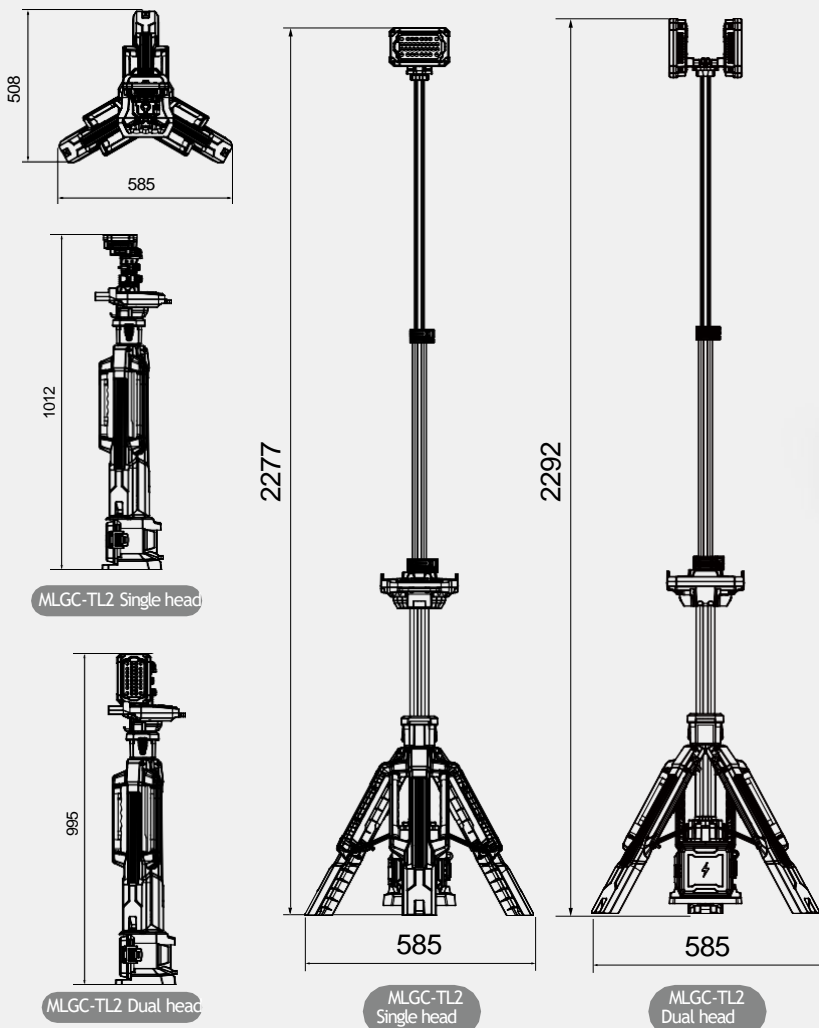
MLGC-TL2 Dual head

Hight	1m~2.3m
Weight	6.3Kg (Fitting only)
Power Supply	BP series battery pack / AC 100-277V 0 -
Lumens	11,000Lm
Run Times	>8 hours (Standard mode, MLGC-BP2)
IP Grade	IP66
Output(USB)	5V 2A (2 Dock)

MLGC-TL2 Single head

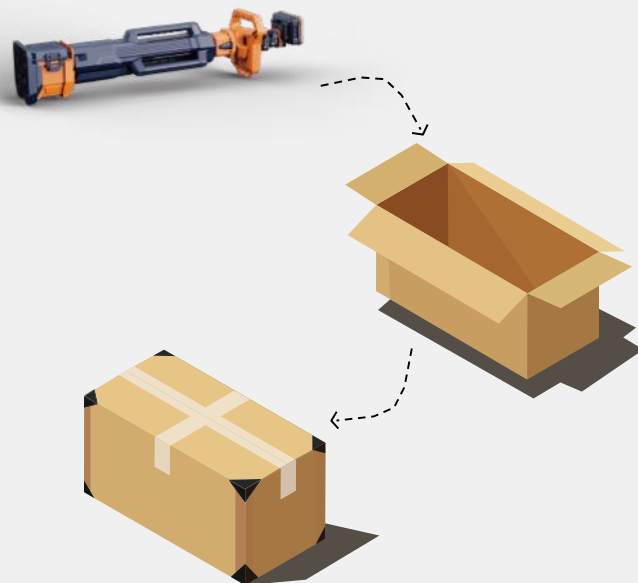
Hight	1m~2.3m
Weight	5.9Kg (Fitting only)
Power Supply	B P series battery pack
Lumens	0 - 3,000Lm
Run Times	>8 hours (Standard mode, MLGC-BP2)
IP Grade	IP66
Output(USB)	5V 2A (2 Dock)

Size (mm)



Package

Model	MLGC-TL2 Single head	MLGC-TL2 Dual head
Size of Carton	109x26x33cm	109x26x33cm
Gross Weight of Carton	7.5KG±5%	8.0KG±5%
PCS/Carton	1	1



MERLIN EQUIPMENT PTE LTD

69B Tuas Bay Drive, Singapore 636827

Tel: +65 6863 1753

Email: sales@merlinequip.com