

# LED TAIL LIGHTS

## DESCRIPTION

The Komatsu taillight kit mounts easily to the factory location and features three identifiable light signals:

- Red : Brakelights & Taillights,
- Amber: Dynamic brake indicator,
- White: Reverse.



## SPECIFICATIONS

### MECHANICAL

Fixture Weight w/ Brackets: 5.26 kg  
 Shipping Weight: 11.2 kg  
 Mounting: Direct replacement Mounts to factory Location

### ELECTRICAL

Operating Voltage: 9-32 VDC  
 Operating Temp: -40°C ~ 85°C  
 Amp Draw: 3A @ 24V  
 Lifespan: 50,000 hrs  
 Vibration Rating: 8.7 Grms

### AMBER

Wattage 7 W  
 LED P4 (Amber) x 4ea  
 Finish Marine Grade Amber Coating  
 Indication Dynamic Brake Indicator  
 Connector 2 Pin Deutsch

### RED

Wattage: High/Low 7 W / 2.5 W  
 LED P4 (Red) x 4ea  
 Finish Marine Grade Amber Coating  
 Indication Brakelight, Taillights  
 Connector 3 Pin Deutsch

### WHITE

Wattage 10 W  
 LED P4 (White) x 4ea  
 Finish Marine Grade Amber Coating  
 Indication Reverse  
 Connector 2 Pin Deutsch

### CONSTRUCTION

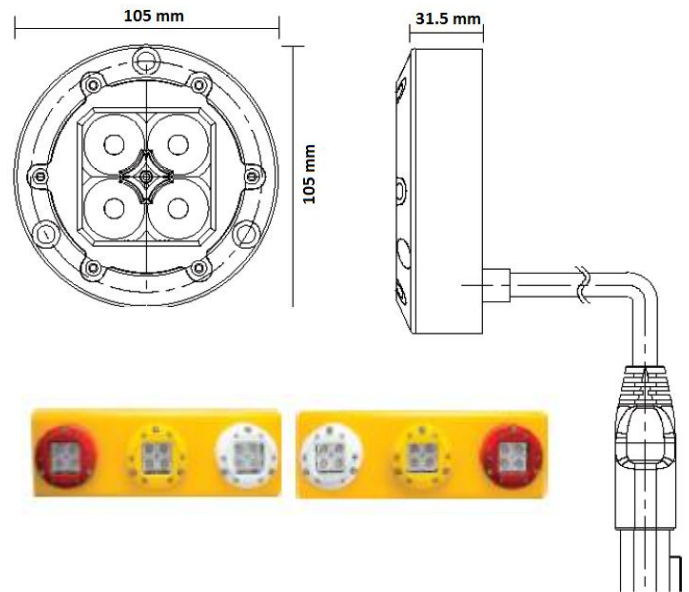
Housing Die-Cast 6061 Aluminum  
 Lens Acrylic Lens

### RATINGS

Ingress Protection IP68/IP69K

ITEM	DESCRIPTION	BEAM PATTERN
MLTL-K	KIT	40 degree
MLTL-A	AMBER	40 degree
MLTL-R	RED	40 degree
MLTL-W	WHITE	40 degree

## 2D DRAWING



## WIRING

